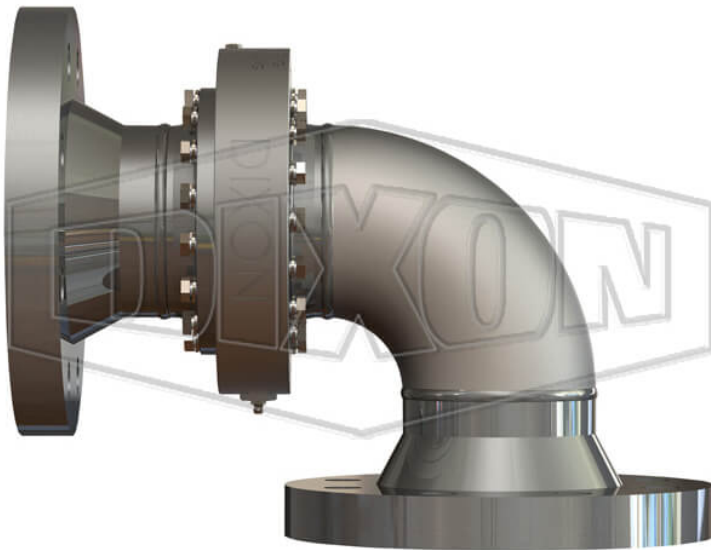


SPLIT FLANGE SWIVEL STYLE 30 150# FLANGE



* Referential image

** Some features may vary without prior notice. Sale subject to inventory availability

DATE

: 05/08/2026 08:49 PM

SKU

: 27644

BRAND

: DIXON VALVE

MODEL

: SF330FGXFGCS00

Applications:

For use in industries from petroleum, blending plants, petrochemical, refining, mining, distilling, paint plants, farm irrigation and fertilizing, wastewater treatment, food and beverage process equipment, marine and many more

Features:

Bearing pack design allows easy seal change without removing the ball bearings.

Simple maintenance: remove one nose piece, replace seal pack, and reinstall with little down-time.

Instream seal separates the wetted area from the ball bearings allowing for longer bearing pack life over conventional swivels.

Wide set bearing race for higher moment loads

Compact design for low profile applications

Construction:

Bearing pack: through hardened forged high carbon alloy

Material contact surfaces: stainless steel or carbon steel nose pieces

Available Options:

All styles

Stock end configurations: 150 lb. and 300 lb. flanges, FNPT, butt weld, others per request

Stock seals: Baylast™, FKM, PTFE, others per request

Full penetration weld

Safety notes:

WARNING: Cancer and Reproductive Harm- www.P65Warnings.ca.gov

TECHNICAL SPECIFICATIONS

Material	Carbon Steel
Factory Part Number	SF330FGXFGCS00
Pressure Rating	600 PSI
Seal	Baylast?
Size	3"
Temperature Range	-35°F to 212°F (-37°C to 100°C)