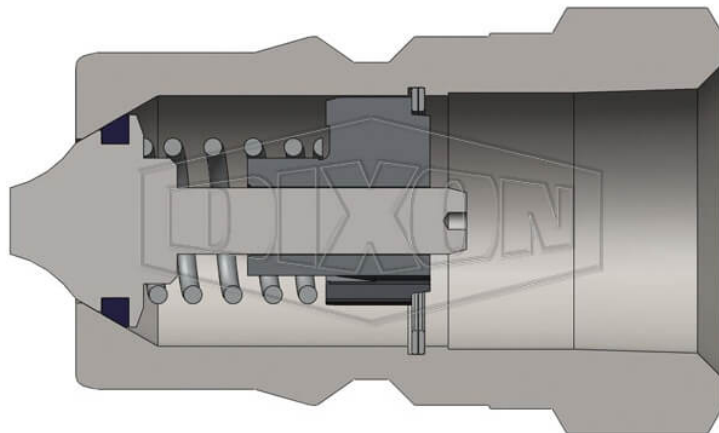


## DQC H-SERIES ISO-B FEMALE PLUG



\* Referential image

\*\* Some features may vary without prior notice. Sale subject to inventory availability

DATE  
: 07/09/2026 08:21 AM

SKU  
: 24472

BRAND  
: DIXON VALVE

MODEL  
: H1OF2

Features:  
Poppet style shut-off valves  
Designed to prevent fluid loss when disconnected

Construction:  
Machined components are manufactured using solid bar stock  
Stainless steel balls, retaining rings and springs maximize corrosion resistance and extend service life.  
Steel componentry is plated using ROHS Compliant Trivalent Chrome.  
Steel Nipples are hardened to provide heavy duty performance and resist brinelling.

Available Options:  
Contact Dixon for all available option adders  
Oxy-Clean treatment is available

Compatibility & Interchange Data:  
Meets dimensional requirements of ISO 7241 Series B  
Interchangeable with Parker-Hannifin 60 Series, Snap-Tite 72-Series, Hansen HK-Series, Faster Series 'HNV', Aeroquip/Eaton FD45, Stucchi Series IRB/IRBO/IRBX

Safety notes:  
WARNING: Cancer and Reproductive Harm- [www.P65Warnings.ca.gov](http://www.P65Warnings.ca.gov)

**TECHNICAL SPECIFICATIONS**

<b>Body Size</b>	1/8"
<b>Burst Pressure</b>	14500 PSI (1000 bar)
<b>Factory Part Number</b>	H10F2
<b>Hex</b>	9/16"
<b>Length</b>	1.28"
<b>Material</b>	Steel
<b>Maximum OD</b>	0.65"
<b>Maximum Operating Pressure</b>	4000 PSI (275 bar)
<b>Temperature Range</b>	-40°F to +250°F (-40°C to +121°C)
<b>Thread</b>	Female ORB
<b>Thread Size</b>	7/16"-20
<b>Weight Lb</b>	0.0500