

DQC H-SERIES ISO-B HIGH VOLUME FEMALE PLUG



DATE
: 05/23/2026 01:43 AM

SKU
: 24460

BRAND
: DIXON VALVE

MODEL
: H12F10-B

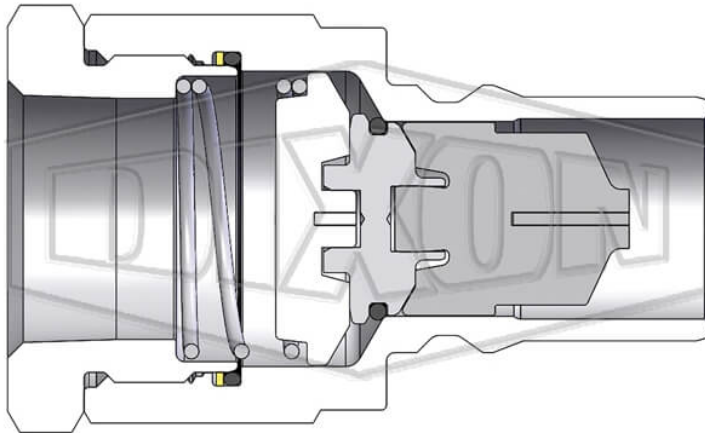
Features:
Poppet style shut-off valves
Designed to prevent fluid loss when disconnected

Construction:
Machined components are manufactured using solid bar stock
Stainless steel balls, retaining rings and springs maximize corrosion resistance and extend service life.

Available Options:
Contact Dixon for all available option adders

Compatibility & Interchange Data:
Meets dimensional requirements of ISO 7241 Series B
Interchangeable with Parker-Hannifin 60 Series, Snap-Tite 72-Series, Hansen HK-Series, Faster Series 'HNV', Aeroquip/Eaton FD45, Stucchi Series IRB/IRBO/IRBX

Safety notes:
WARNING: Cancer and Reproductive Harm- www.P65Warnings.ca.gov



* Referential image
** Some features may vary without prior notice. Sale subject to inventory availability

TECHNICAL SPECIFICATIONS

Body Size	1-1/2"
Burst Pressure	6500 PSI (450 bar)
Factory Part Number	H12F10-B
Hex	2-5/8"
Length	4.76" (120.9mm)
Material	Brass
Maximum OD	2.88" (73.2mm)
Maximum Operating Pressure	1000 PSI (70 bar)
Temperature Range	-40°F to +250°F (-40°C to +121°C)
Thread	Female NPTF
Thread Size	1-1/4" - 1-1/2"
Weight Lb	3.6700