

## DQC H-SERIES ISO-B HIGH VOLUME FEMALE PLUG



DATE  
: 07/09/2026 12:42 PM

SKU  
: 24456

BRAND  
: DIXON VALVE

MODEL  
: H12BF12-S

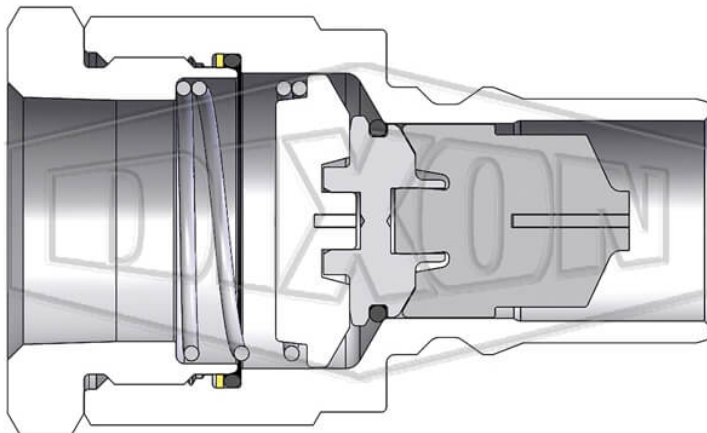
Features:  
Poppet style shut-off valves  
Designed to prevent fluid loss when disconnected

Construction:  
Machined components are manufactured using solid bar stock  
Stainless steel balls, retaining rings and springs maximize corrosion resistance and extend service life.

Available Options:  
Contact Dixon for all available option adders

Compatibility & Interchange Data:  
Meets dimensional requirements of ISO 7241 Series B  
Interchangeable with Parker-Hannifin 60 Series, Snap-Tite 72-Series, Hansen HK-Series, Faster Series 'HNV', Aeroquip/Eaton FD45, Stucchi Series IRB/IRBO/IRBX

Safety notes:  
WARNING: Cancer and Reproductive Harm- [www.P65Warnings.ca.gov](http://www.P65Warnings.ca.gov)



\* Referential image

\*\* Some features may vary without prior notice. Sale subject to inventory availability

**TECHNICAL SPECIFICATIONS**

<b>Body Size</b>	1-1/2"
<b>Burst Pressure</b>	8500 PSI (600 bar)
<b>Factory Part Number</b>	H12BF12-S
<b>Hex</b>	2-5/8"
<b>Length</b>	4.76" (120.9mm)
<b>Material</b>	303 Stainless Steel
<b>Maximum OD</b>	2.88" (73.2mm)
<b>Maximum Operating Pressure</b>	1500 PSI (100 bar)
<b>Temperature Range</b>	-40°F to +250°F (-40°C to +121°C)
<b>Thread</b>	Female BSPP
<b>Thread Size</b>	1-1/2"-11
<b>Weight Lb</b>	3.0600