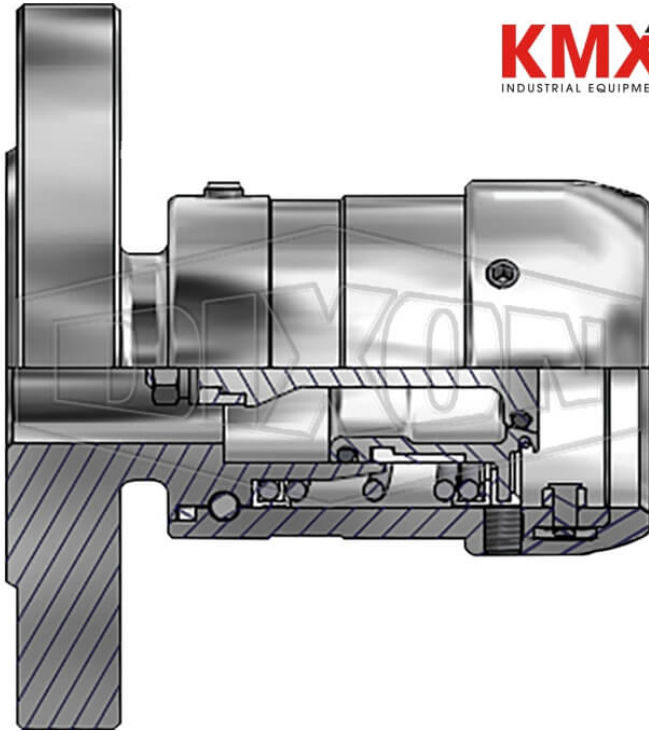


DRY EVOTEK COUPLINGS



DATE
: 04/20/2026 11:15 AM

SKU
: 11618

BRAND
: DIXON VALVE

MODEL
: DDEC100SSFL

Applications:

Specifically designed for use in the chemical industry

Rotating the coupling 120° clockwise opens the valves where the high pressure engagement between hose and tank unit ensures a strong connection

Specifications:

Working pressure 360 PSI at ambient temperature 70°F (21°C)

Features:

Low connecting forces even against pressure

Ergonomic handle (DN40 and bigger)

Good transmission ratio in the cam curve

Wide range of chemical resistance due to high-quality material selection

Minimized spillage during de-coupling

Construction:

Body: stainless steel 1.4404

Handle: PE (DN40 and bigger)

O-rings: FPM, NBR, EPDM, FFKM

Thread seal: PTFE, FDA and others upon request

Note:

1" coupler has knurled sleeve

Safety notes:

WARNING: Cancer and Reproductive Harm- www.P65Warnings.ca.gov

Approvals

PED 2014/68/EU 4.3

ATEX 2014/34/EU Category 3G

* Referential image

** Some features may vary without prior notice. Sale subject to inventory availability

TECHNICAL SPECIFICATIONS

Description	Coupler x 150# Flange
Factory Part Number	DDEC100SSFL
Flange Size	1"
Size	59.5 mm