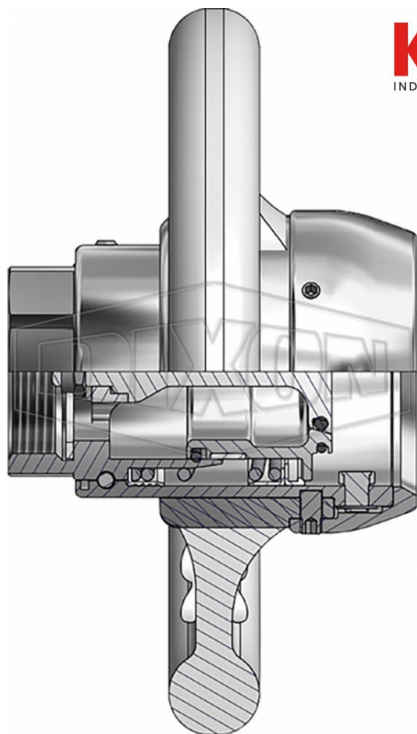


DRY EVOTEK COUPLINGS



DATE
: 07/08/2026 09:50 PM

SKU
: 11617

BRAND
: DIXON VALVE

MODEL
: DDEC100SS

Applications:

Specifically designed for use in the chemical industry
Rotating the coupling 120° clockwise opens the valves where the high pressure engagement between hose and tank unit ensures a strong connection

Specifications:

Working pressure 360 PSI at ambient temperature 70°F (21°C)

Features:

- Low connecting forces even against pressure
- Ergonomic handle (DN40 and bigger)
- Good transmission ratio in the cam curve
- Wide range of chemical resistance due to high-quality material selection
- Minimized spillage during de-coupling

Construction:

- Body: stainless steel 1.4404
- Handle: PE (DN40 and bigger)
- O-rings: FPM, NBR, EPDM, FFKM
- Thread seal: PTFE, FDA and others upon request

Note:

1" coupler has knurled sleeve.

Safety notes:

WARNING: Cancer and Reproductive Harm- www.P65Warnings.ca.gov

Approvals

- PED 2014/68/EU 4.3
- ATEX 2014/34/EU Category 3G

* Referential image

** Some features may vary without prior notice. Sale subject to inventory availability

TECHNICAL SPECIFICATIONS

Description	Coupler x Female NPT
Factory Part Number	DDEC100SS
Female Thread	NPT
Female Thread Size	1"
Size	59.5 mm