

**IRON BUTTERFLY VALVE
REPLACEMENTS/KITS**



DATE
: 04/22/2026 10:24 AM

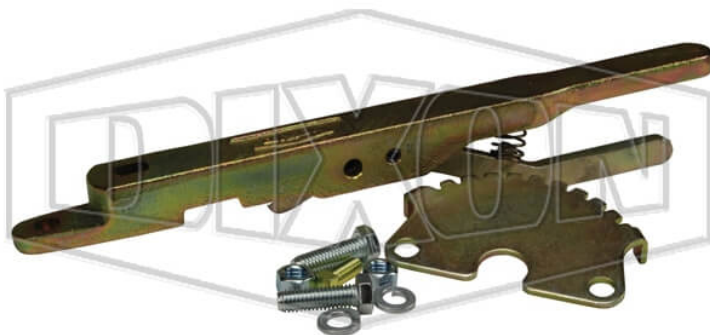
SKU
: 11254

BRAND
: DIXON VALVE

MODEL
: DB237-23-10

Features:
5 open position

Safety notes:
WARNING: Cancer and Reproductive Harm- www.P65Warnings.ca.gov



TECHNICAL SPECIFICATIONS

Description	Handle Kit
Factory Part Number	DB237-23-10
Material	Iron
Used on	2"-3" Butterfly Valves
Weight Lb	2.2950

* Referential image
** Some features may vary without prior notice. Sale subject to inventory availability