

**ALUMINUM BUTTERFLY VALVE
REPLACEMENTS/KITS**



DATE
: 07/08/2026 02:59 AM

SKU
: 11252

BRAND
: DIXON VALVE

MODEL
: DB206-46-5

Features:

Handles are high strength 713 aluminum, with a retrogressive re-aging process which creates a stronger handle than the cast iron handle that is commonly used in the industry

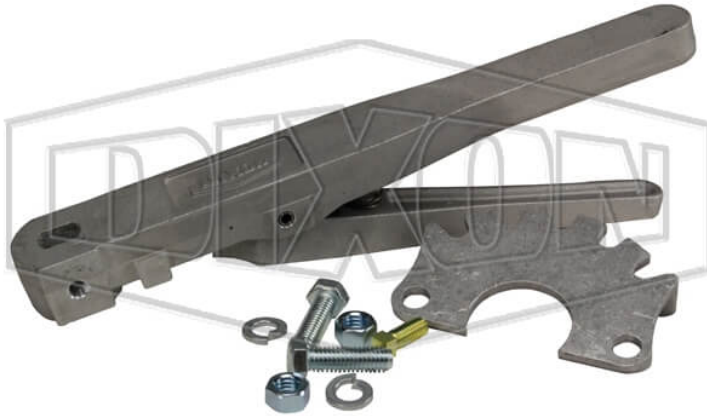
5 open positions

Safety notes:

WARNING: Cancer and Reproductive Harm- www.P65Warnings.ca.gov

TECHNICAL SPECIFICATIONS

Description	Handle kit
Factory Part Number	DB206-46-5
Material	Aluminum
Used on	4"-6" Butterfly Valves
Weight Lb	1.2100



* Referential image
** Some features may vary without prior notice. Sale subject to inventory availability