

ALUMINUM BUTTERFLY VALVE REPLACEMENTS/KITS



DATE
: 04/20/2026 10:15 AM

SKU
: 11251

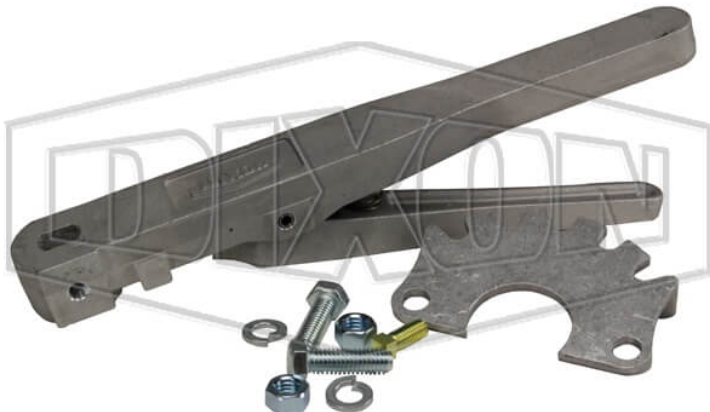
BRAND
: DIXON VALVE

MODEL
: DB206-23-5

Safety notes:
WARNING: Cancer and Reproductive Harm- www.P65Warnings.ca.gov

TECHNICAL SPECIFICATIONS

Description	Handle Kit
Factory Part Number	DB206-23-5
Material	Aluminum
Used on	2"-3" Butterfly Valves
Weight Lb	1.3180



* Referential image
** Some features may vary without prior notice. Sale subject to inventory availability