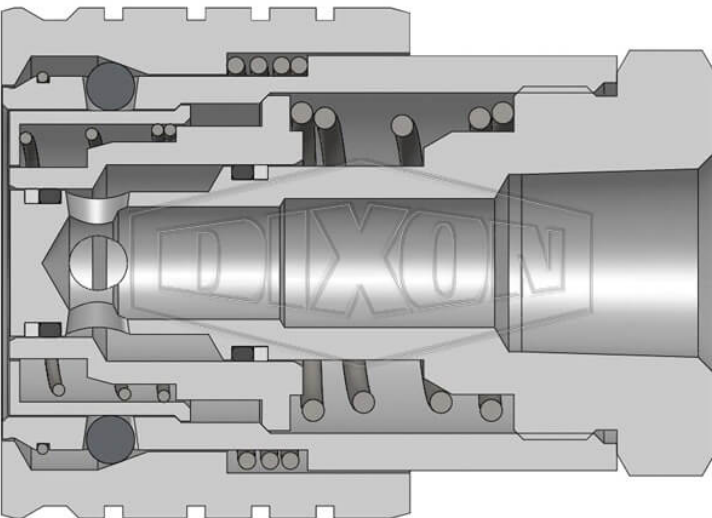


## DQC ST-SERIES SNAP-TITE 71 INTERCHANGE FEMALE COUPLER



\* Referential image

\*\* Some features may vary without prior notice. Sale subject to inventory availability

DATE  
: 07/10/2026 09:14 AM

SKU  
: 6585



BRAND  
: DIXON VALVE

MODEL  
: 8STBF10

### Construction:

Machined components are manufactured using solid bar stock  
Stainless steel balls, retaining rings and springs maximize corrosion resistance and extend service life.

Steel componentry is plated using ROHS Compliant Trivalent Chrome.  
Steel coupler sleeves are hardened to resist deformation and maximize service life.

Nitrile (Buna-N) seals are standard

Incorporates PTFE anti-extrusion rings to protect seal components from dynamic impulse damage.

### Available Options:

Contact Dixon for all available option adders

Standard seal options include: FKM, EPDM, Mil-Nitrile and Fuel Nitrile

Kalrez® seal options include: 4079, 6375 and 7075

Oxy-clean treatment is available

### Compatibility & Interchange Data:

Interchangeable with Snap-Tite 71-Series

### Safety notes:

WARNING: Cancer and Reproductive Harm- [www.P65Warnings.ca.gov](http://www.P65Warnings.ca.gov)

## TECHNICAL SPECIFICATIONS

<b>Body Size</b>	1"
<b>Burst Pressure</b>	19400 PSI (1300 bar)
<b>Factory Part Number</b>	8STBF10
<b>Hex</b>	2"
<b>Length</b>	3.67" (93.2mm)
<b>Material</b>	Steel
<b>Maximum OD</b>	2.73" (69.3mm)
<b>Maximum Operating Pressure</b>	7500 PSI (500 bar)
<b>Temperature Range</b>	-40°F to +250°F (-40°C to +121°C)
<b>Thread</b>	Female BSPP
<b>Thread Size</b>	1-1/4"-11
<b>Weight Lb</b>	2.8400