

BEVEL SEAT GASKET

DATE
: 04/21/2026 08:14 PM

SKU
: 4441

BRAND
: DIXON VALVE

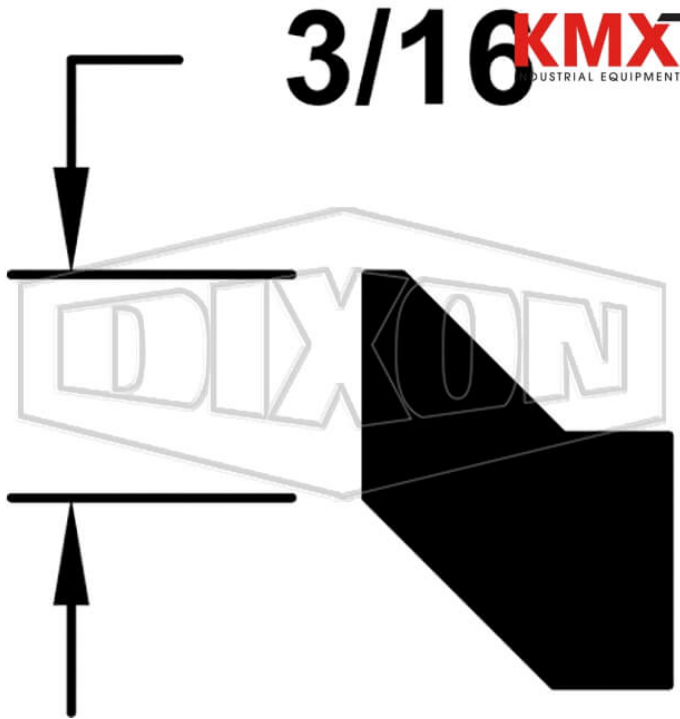
MODEL
: 40BS-H150

Specifications:
Meets 21CFR 177.1550
Passed U.S.P. Class VI Cytotoxicity testing

Safety notes:
WARNING: Cancer and Reproductive Harm- www.P65Warnings.ca.gov

TECHNICAL SPECIFICATIONS

Color	White
Color Code	no dot
Material	Heavy PTFE
Factory Part Number	40BS-H150
Size	1-1/2"
Weight Lb	0.0200



* Referential image
** Some features may vary without prior notice. Sale subject to inventory availability