

D-SERIES PNEUMATIC AUTOMATIC FEMALE THREADED COUPLER



DATE
: 05/22/2026 09:36 AM

SKU
: 4057

BRAND
: DIXON VALVE

MODEL
: 3DBF3-B

Specifications:

Rated pressure for connected Brass Coupler & Brass Plug: 300 PSI (20 bar)
Maximum Working and 14,500 PSI (1,000 bar) Burst
Rated pressure for connected Brass Coupler & Steel Plug: 500 PSI (35 bar)
Maximum Working and 15,500 PSI (1,070 bar) Burst

Construction:

Machined components are manufactured using solid bar stock.
Stainless steel balls, retaining rings and springs maximize corrosion resistance and extend service life.
Nitrile (Buna-N) seals are standard
Steel componentry is plated using ROHS Compliant Trivalent Chrome.

Compatibility & Interchange Data:

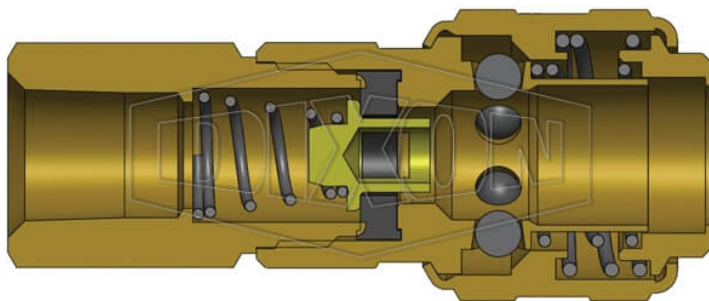
Foster 3, 4, 5 and 6 Series
Parker 30- Series Automatic Interchange
Hansen 3000, 4000, 5000 and 6000

How it works:

To disconnect, begin by holding the hose on the nipple side with three of your fingers, leaving your thumb and index finger free.
Grab the sleeve with your thumb and index finger and begin to pull the sleeve towards the palm of your hand.
After pulling the sleeve, the nipple will move out of the coupler slightly.
Continue to hold the hose and coupler sleeve until all air is fully exhausted.
After the line is fully exhausted, you are able to safely separate the nipple from the coupler.

Safety notes:

It is important to be safe when installing quick disconnect couplings into a pneumatic circuit. Never install a pneumatic coupling directly into an air tool,



* Referential image

** Some features may vary without prior notice. Sale subject to inventory availability

use a piece of hose that is at least 18" long, between the tool and the coupling, to prevent damage to the coupling. To protect the operator, safety devices, such as a safety check valve and safety cable should be installed in case there is a hose or coupling failure.

WARNING: Cancer and Reproductive Harm- www.P65Warnings.ca.gov

TECHNICAL SPECIFICATIONS

Body Size	3/8"
Factory Part Number	3DBF3-B
Hex	7/8"
Length	2.60" (66.0mm)
Material	Brass
Maximum OD	1.26" (32.0mm)
Pressure Rating	See Product Details
Temperature Range	-40°F to +250°F (-40°C to +121°C)
Thread	BSPP
Thread Size	3/8"
Weight Lb	0.3700