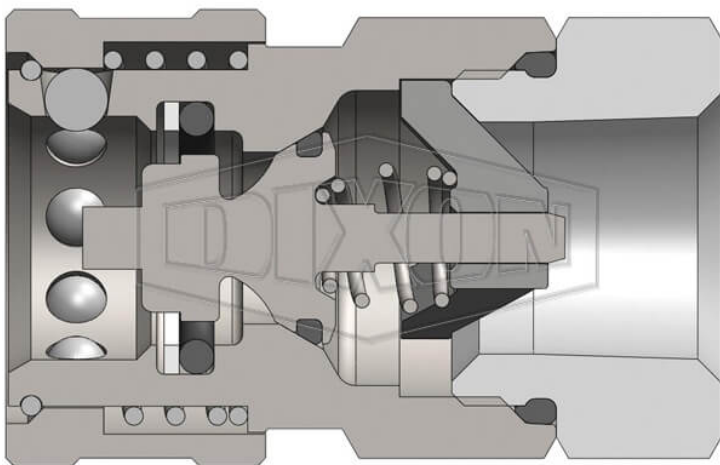


## DQC V-SERIES SNAP-TITE H/IH INTERCHANGE VALVED FEMALE COUPLER



\* Referential image

\*\* Some features may vary without prior notice. Sale subject to inventory availability

DATE  
: 05/24/2026 02:23 PM

SKU  
: 22332

BRAND  
: DIXON VALVE

MODEL  
: 2VBF2-SS

### Features:

General purpose hydraulic quick-connect provides superior flow characteristics for a variety of applications

### Construction:

Machined components are manufactured using solid bar stock  
Stainless steel balls, retaining rings and springs maximize corrosion resistance and extend service life.

Steel componentry is plated using ROHS Compliant Trivalent Chrome.

Steel coupler sleeves are hardened to resist deformation and maximize service life.

Tubular 'TV' valves are constructed from steel bar stock and are designed for optimum performance in pneumatic applications.

Nitrile (Buna-N) seals are standard

All couplers incorporate a PTFE anti-extrusion ring to protect the seal components from dynamic impulse damage.

Valve seals are crimped in place to maintain integrity during excessive flow conditions and pressurized connection.

### Available Options:

Contact Dixon for all available option adders

Standard seal options include: FKM, EPDM, Steam-EP, FDA FKM, Mil-Nitrile, Fuel Nitrile and Silicone

Kalrez® seal options include: 4079, 6375 and 7075

Valve options include: Unvalved, tubular, steel, brass and 316 stainless steel

Sleeve options include: Sleeve-lock, Flanged and Silicone-flanged

Oxy-clean treatment is available

### Compatibility & Interchange Data:

Interchangeable to MIL-C-51234

Interchangeable with Snap-Tite H/IH Series and Faster TNV

Safety notes:

WARNING: Cancer and Reproductive Harm- [www.P65Warnings.ca.gov](http://www.P65Warnings.ca.gov)

## TECHNICAL SPECIFICATIONS

<b>Body Size</b>	1/4"
<b>Burst Pressure</b>	10000 PSI (700 bar)
<b>Factory Part Number</b>	2VBF2-SS
<b>Hex</b>	7/8"
<b>Length</b>	1.81" (46.0mm)
<b>Material</b>	316 Stainless Steel
<b>Maximum OD</b>	0.99" (25.1mm)
<b>Maximum Operating Pressure</b>	5000 PSI (345 bar)
<b>Temperature Range</b>	-40°F to +250°F (-40°C to +121°C)
<b>Thread</b>	Female BSPP
<b>Thread Size</b>	1/4"-19
<b>Weight Lb</b>	0.2500