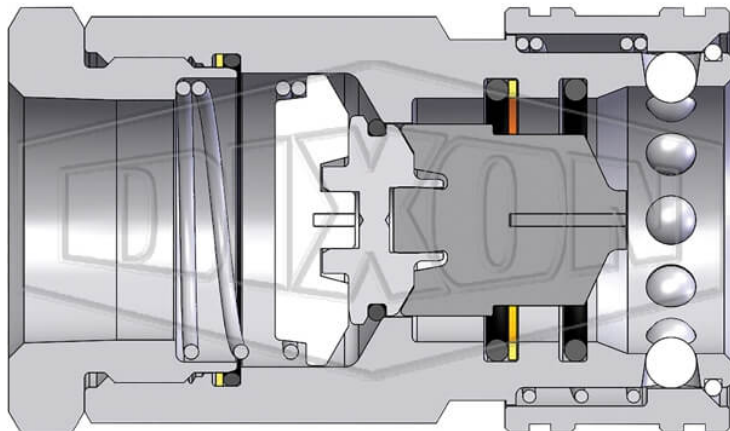


DQC H-SERIES ISO-B HIGH VOLUME FEMALE COUPLER



* Referential image

** Some features may vary without prior notice. Sale subject to inventory availability

DATE
: 05/23/2026 01:43 AM

SKU
: 22054

BRAND
: DIXON VALVE

MODEL
: 12HF12-SS

Features:
Poppet style shut-off valves
Designed to prevent fluid loss when disconnected

Construction:
Machined components are manufactured using solid bar stock
Stainless steel balls, retaining rings and springs maximize corrosion resistance and extend service life.
Steel componentry is plated using ROHS Compliant Trivalent Chrome.
Steel coupler sleeves are hardened to resist deformation and maximize service life.
Nitrile (Buna-N) seals are standard
Redundant O-ring sealing system with Hytrel back-up ring

Available Options:
Contact Dixon for all available option adders
Standard seal options include: FKM, EPDM, Steam-EP, FDA FKM, Mil-Nitrile, Fuel Nitrile, PTFE and Silicone
Kalrez® seal options include: 4079, 6375 and 7075
Valve options include: Unvalved, actuator, steel, brass, 303 stainless steel and 316 stainless steel

Compatibility & Interchange Data:
Meets dimensional requirements of ISO 7241 Series B
Interchangeable with Parker-Hannifin 60 Series, Snap-Tite 72-Series, Hansen HK-Series, Faster Series 'HNV', Aeroquip/Eaton FD45, Stucchi Series IRB/IRBO/IRBX

Safety notes:
WARNING: Cancer and Reproductive Harm- www.P65Warnings.ca.gov

TECHNICAL SPECIFICATIONS

Body Size	1-1/2"
Burst Pressure	7000 PSI (480 bar)
Factory Part Number	12HF12-SS
Hex	2-5/8"
Length	4.81" (122.2mm)
Material	316 Stainless Steel
Maximum OD	3.00" (76.2mm)
Maximum Operating Pressure	1000 PSI (70 bar)
Temperature Range	-40°F to +250°F (-40°C to +121°C)
Thread	Female NPTF
Thread Size	1-1/2" - 1 1-1/2
Weight Lb	4.6800